

ZX130-5

72 kW (97 hp)



| | | | |
|---|--|-------------------|--------------------|
| Engine | | ZX130-5 | |
| Manufacturer and Model | Isuzu 4JJI | | |
| Non-Road Emissions Standards | Certified to IT4 / Stage IIIB emissions | | |
| Net Rated Power (ISO 9249) | 72 kW (97 hp) at 2,000 rpm | | |
| Cylinders | 4 | | |
| Displacement | 3.0 L (182 cu in.) | | |
| Off Level Capacity | 70% (35 deg.) | | |
| Aspiration | Turbocharged, air-to-air charge-air cooler | | |
| Cooling | | | |
| Direct-driven, high-efficiency, low-noise, suction-type fan | | | |
| Powertrain | | | |
| 2-speed propel with automatic shift | | | |
| Maximum Travel Speed | | | |
| Low | 3.3 km/h (2.1 mph) | | |
| High | 5.5 km/h (3.4 mph) | | |
| Drawbar Pull | 11 217 kg (24,729 lb.) | | |
| Hydraulics | | | |
| Open center, load sensing | | | |
| Main Pumps | 2 variable-displacement axial-piston pumps | | |
| Maximum Rated Flow | 105 L/m (28 gpm) x 2 | | |
| Pilot Pump | One gear | | |
| Maximum Rated Flow | 32.9 L/m (8.7 gpm) | | |
| Pressure Setting | 3930 kPa (570 psi) | | |
| System Operating Pressure | | | |
| Circuits | | | |
| Implement | 34 336 kPa (4,980 psi) | | |
| Travel | 34 336 kPa (4,980 psi) | | |
| Swing | 32 300 kPa (4,685 psi) | | |
| Power Boost | 36 300 kPa (5,265 psi) | | |
| Controls | Pilot levers, short stroke, low-effort hydraulic pilot controls with shutoff lever | | |
| Cylinders | | | |
| | Bore | Rod Diameter | Stroke |
| Boom (2) | 105 mm (4.13 in.) | 70 mm (2.76 in.) | 940 mm (37 in.) |
| Arm (1) | 115 mm (4.53 in.) | 80 mm (3.15 in.) | 1135 mm (44.7 in.) |
| Bucket (1) | 100 mm (3.94 in.) | 70 mm (2.76 in.) | 874 mm (34.4 in.) |
| Electrical | | | |
| Number of Batteries (12 volt) | 2 | | |
| Battery Capacity | 1,400 CCA | | |
| Alternator Rating | 50 amp | | |
| Work Lights | 2 halogen (one mounted on boom, one on frame) | | |
| Undercarriage | | | |
| Rollers (each side) | | | |
| Carrier | 1 | | |
| Track | 7 | | |
| Shoes, Triple Semi-Grousers (each side) | 44 | | |
| Track | | | |
| Adjustment | Hydraulic | | |
| Guides | Front idler | | |
| Chain | Sealed and lubricated | | |
| Ground Pressure | | | |
| 600-mm (24 in.) Triple Semi-Grouser Shoes | 31 kPa (4.51 psi) | 34 kPa (4.91 psi) | |
| 700-mm (28 in.) Triple Semi-Grouser Shoes | 27 kPa (3.93 psi) | 30 kPa (4.28 psi) | |
| 600-mm (24 in.) Rubber Crawler Pad | 31 kPa (4.43 psi) | 33 kPa (4.83 psi) | |
| Swing Mechanism | | | |
| Swing Speed | 13.3 rpm | | |
| Swing Torque | 34 000 Nm (25,000 lb.-ft.) | | |

DASH-5

Serviceability

Refill Capacities

| | |
|------------------------|-------------------|
| Fuel Tank | 280 L (74 gal.) |
| Cooling System | 20 L (21.1 qt.) |
| Engine Oil with Filter | 17 L (18 qt.) |
| Hydraulic Tank | 69 L (18.2 gal.) |
| Hydraulic System | 185 L (48.9 gal.) |
| Swing Gearbox | 3.2 L (3.4 qt.) |
| Propel Gearbox (each) | 4 L (4.2 qt.) |

Operating Weights

With full fuel tank; 79-kg (175 lb.) operator; 914-mm (36 in.), 0.50-m³ (0.65 cu. yd.), 414-kg (913 lb.) general-purpose bucket; 3.01-m (9 ft. 11 in.) arm; and 2400-kg (5,291 lb.) counterweight.

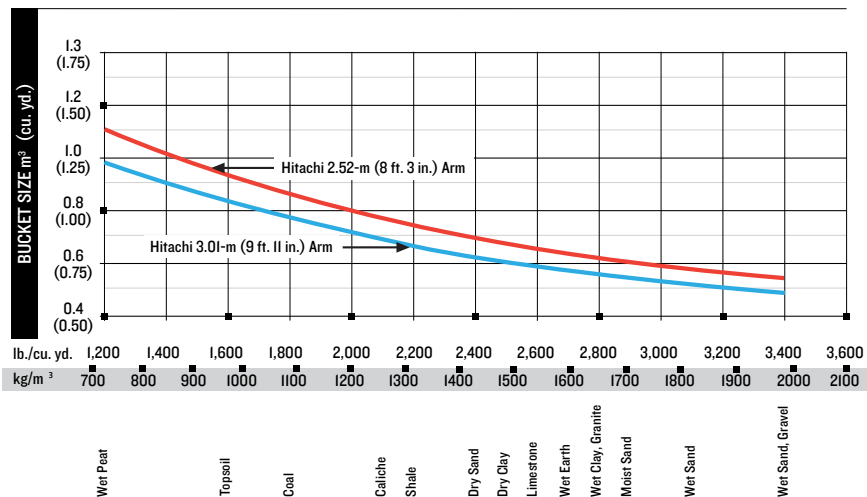
| Operating Weights | Without Blade | With Blade |
|--|------------------------|------------------------|
| 600-mm (24 in.) Triple Semi-Grouser Shoes | 12 010 kg (26,454 lb.) | 13 087 kg (28,826 lb.) |
| 700-mm (28 in.) Triple Semi-Grouser Shoes | 12 110 kg (26,674 lb.) | 13 203 kg (29,081 lb.) |
| 600-mm (24 in.) Rubber Crawler Pad | 11 810 kg (26,013 lb.) | 12 887 kg (28,385 lb.) |
| Component Weights | | |
| Undercarriage | Without Blade | With Blade |
| 600-mm (24 in.) Triple Semi-Grouser Shoes | 4304 kg (9,480 lb.) | 5381 kg (11,852 lb.) |
| 700-mm (28 in.) Triple Semi-Grouser Shoes | 4490 kg (9,890 lb.) | 5583 kg (12,297 lb.) |
| 600-mm (24 in.) Rubber Crawler Pad | 4190 kg (9,229 lb.) | 5267 kg (11,601 lb.) |
| One-Piece Boom (with arm cylinder) | 988 kg (2,176 lb.) | |
| Arm with Bucket Cylinder and Linkage | | |
| 2.52 m (8 ft. 3 in.) | 431 kg (949 lb.) | |
| 3.01 m (9 ft. 11 in.) | 501 kg (1,104 lb.) | |
| Boom-Lift Cylinders (2), Total Weight | 436 kg (960 lb.) | |
| 914-mm (36 in.), 0.50-m ³ (0.65 cu. yd.) Bucket | 414 kg (913 lb.) | |
| Counterweight, Standard | 2400 kg (5,291 lb.) | |

Buckets

A full line of buckets is offered to meet a wide variety of applications. Digging forces are with power boost. Buckets are equipped with ESCO teeth standard. Replaceable cutting edges and a variety of teeth are available through Hitachi parts. Optional side cutters add 150 mm (6 in.) to bucket widths. Capacities are SAE heaped ratings.

| Type Bucket | Bucket Width | | Bucket Capacity | | Bucket Weight | | Bucket Dig Force | | Arm Dig Force 2.52 m (8 ft. 3 in.) | | Arm Dig Force 3.01 m (9 ft. 11 in.) | | Bucket Tip Radius | | Number of Teeth |
|----------------------|--------------|-----|-----------------|---------|---------------|-------|------------------|--------|---------------------------------------|--------|--|--------|-------------------|-------|-----------------|
| | mm | in. | m ³ | cu. yd. | kg | lb. | kN | lb. | kN | lb. | kN | lb. | mm | in. | |
| Heavy Duty Plate Lip | 610 | 24 | 0.37 | 0.48 | 460 | 1,014 | 84.6 | 19,015 | 65.0 | 14,611 | 58.6 | 13,167 | 1328 | 52.27 | 4 |
| Heavy Duty Plate Lip | 760 | 30 | 0.50 | 0.65 | 522 | 1,150 | 84.6 | 19,015 | 65.0 | 14,611 | 58.6 | 13,167 | 1328 | 52.27 | 4 |
| Heavy Duty Plate Lip | 915 | 36 | 0.62 | 0.81 | 589 | 1,297 | 84.6 | 19,015 | 65.0 | 14,611 | 58.6 | 13,167 | 1328 | 52.27 | 5 |
| Heavy Duty Plate Lip | 1065 | 42 | 0.76 | 0.99 | 631 | 1,390 | 84.6 | 19,015 | 65.0 | 14,611 | 58.6 | 13,167 | 1328 | 52.27 | 5 |
| Ditching | 1500 | 60 | 0.63 | 0.83 | 457 | 1,007 | 121.9 | 27,411 | 72.7 | 16,337 | 64.6 | 14,529 | 921 | 36.25 | 0 |

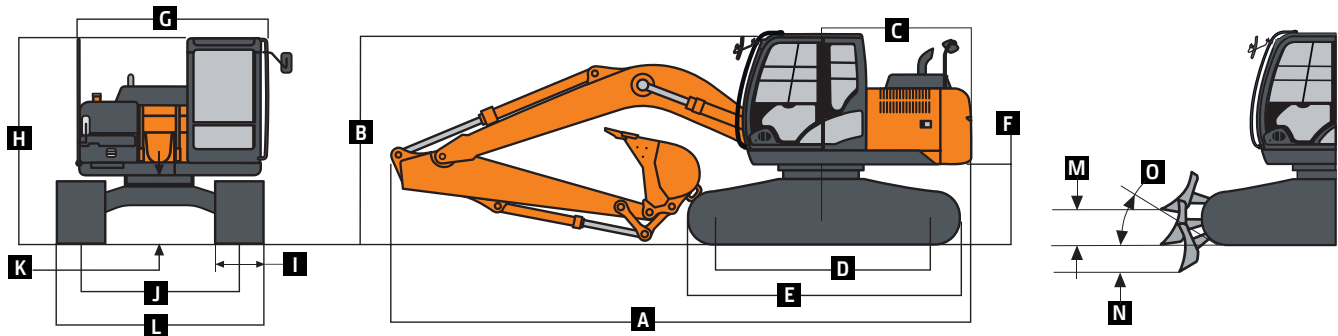
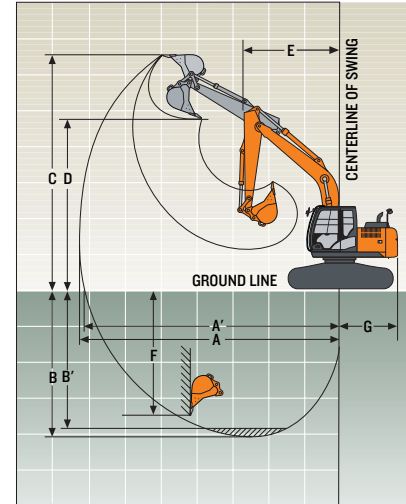
Bucket Selection Guide*



*Contact your Hitachi dealer for optimum bucket and attachment selections. These recommendations are for general conditions and average use. Does not include optional equipment such as thumbs or couplers. Larger buckets may be possible when using light materials, for flat and level operations, less compacted materials, and volume loading applications such as mass-excavation applications in ideal conditions. Smaller buckets are recommended for adverse conditions such as off-level applications, rocks, and uneven surfaces. Bucket capacity indicated is SAE heaped.

Operating Dimensions

| | | |
|---|-----------------------|------------------------|
| Arm Length | 2.52 m (8 ft. 3 in.) | 3.01 m (9 ft. 11 in.) |
| Arm Digging Force | | |
| SAE | 67 kN (14,991 lb.) | 60 kN (13,470 lb.) |
| ISO | 69 kN (15,476 lb.) | 62 kN (13,845 lb.) |
| Bucket Digging Force | | |
| SAE | 91 kN (20,525 lb.) | 91 kN (20,525 lb.) |
| ISO | 104 kN (23,435 lb.) | 104 kN (23,435 lb.) |
| Lifting Capacity Over Front at Ground Level | | |
| 6.1-m (20 ft.) Reach (with power boost) | 2654 kg (5,850 lb.) | 2 631 kg (5,800 lb.) |
| A Maximum Reach | 8.32 m (27 ft. 4 in.) | 8.79 m (28 ft. 10 in.) |
| A' Maximum Reach at Ground Level | 8.2 m (26 ft. 11 in.) | 8.67 m (28 ft. 5 in.) |
| B Maximum Digging Depth | 5.57 m (18 ft. 3 in.) | 6.06 m (19 ft. 11 in.) |
| B' Maximum Digging Depth at 2.44-m (8 ft.) Flat Bottom | 5.35 m (17 ft. 7 in.) | 5.88 m (19 ft. 3 in.) |
| C Maximum Cutting Height | 8.6 m (28 ft. 3 in.) | 8.93 m (29 ft. 4 in.) |
| D Maximum Dumping Height | 6.19 m (20 ft. 4 in.) | 6.52 m (21 ft. 5 in.) |
| E Minimum Swing Radius | 2.4 m (7 ft. 10 in.) | 2.62 m (8 ft. 7 in.) |
| F Maximum Vertical Wall | 5.02 m (16 ft. 6 in.) | 5.5 m (18 ft. 1 in.) |
| G Tail-Swing Radius | 2.19 m (7 ft. 2 in.) | 2.19 m (7 ft. 2 in.) |



| Machine Dimensions | ZX130-5 | Machine Dimensions | ZX130-5 |
|---|---|---|---|
| A Overall Length with Arm | 2.52 m (8 ft. 3 in.) 3.01 m (9 ft. 11 in.) | J Gauge Width | 1.99 m (6 ft. 6 in.) |
| B Overall Height with Arm | 2.52 m (8 ft. 3 in.) 3.01 m (9 ft. 11 in.) | K Ground Clearance | 410 mm (16 in.) |
| C Rear-End Length/Swing Radius | 2.19 m (7 ft. 2 in.) | L Overall Width with Triple Semi-Grouser Shoes | 600 mm (24 in.) 700 mm (28 in.) |
| D Distance Between Idler/Sprocket Centerline | 2.88 m (9 ft. 5 in.) | M Blade Lift Height | 523 mm (21 in.) |
| E Undercarriage Length | 3.58 m (11 ft. 9 in.) | N Blade Cut Below Grade | 488 mm (19 in.) |
| F Counterweight Clearance | 840 mm (33 in.) | O Blade Lift Angle | 27 deg. |
| G Upperstructure Width | 2.46 m (8 ft. 1 in.) | Blade Length | 2.51 m (8 ft. 3 in.) |
| H Cab Height | 2.79 m (9 ft. 2 in.) | Blade Height | 523 mm (21 in.) |
| I Track Width w/ Triple Semi-Grouser Shoes | 600 mm (24 in.) 700 mm (28 in.) | Blade Width with Triple Semi-Grouser Shoes | 600 mm (24 in.) 700 mm (28 in.) |
| | | | 2590 mm (8 ft. 6 in.) 2690 mm (8 ft. 10 in.) |

DASH-5

Lift Capacities

Boldface type indicates hydraulically limited capacity; lightface type indicates stability-limited capacities, in kg (lb.). Ratings at bucket lift hook; machine equipped with 414-kg (913 lb.) bucket, standard counterweight, and standard gauge; and situated on firm, level, uniform supporting surface. Total load includes weight of cables, hook, etc. Figures do not exceed 87 percent of hydraulic capacities or 75 percent of weight needed to tip machine. All lift capacities are based on ISO 10567 (with power boost).

| Lead Point Height | 1.5 m (5 ft.) | | 3.0 m (10 ft.) | | 4.5 m (15 ft.) | | 6.0 m (20 ft.) | | 7.5 m (25 ft.) | |
|--|-----------------|-----------------|-----------------|-----------------|-----------------|----------------|----------------|-----------|----------------|-----------|
| Horizontal Distance from Centerline of Rotation | Over Front | Over Side | Over Front | Over Side | Over Front | Over Side | Over Front | Over Side | Over Front | Over Side |
| With 2.52-m (8 ft. 3 in.) arm and 600-mm (24 in.) triple semi-grouser shoes, without blade | | | | | | | | | | |
| 4.5 m (15 ft.) | | | | | 3250 | 3250 | 2950 | 1950 | | |
| | | | | | (7,050) | (7,050) | (6,000) | (4,150) | | |
| 3.0 m (10 ft.) | | | 5550 | 5550 | 4050 | 3100 | 2850 | 1900 | | |
| | | | (11,900) | (11,900) | (8,700) | (6,700) | (6,150) | (4,050) | | |
| 1.5 m (5 ft.) | | | 7750 | 5400 | 4450 | 2900 | 2750 | 1800 | | |
| | | | (17,700) | (11,700) | (9,550) | (6,200) | (5,950) | (3,850) | | |
| Ground Line | | | 6150 | 5150 | 4250 | 2700 | 2700 | 1700 | | |
| | | | (14,350) | (11,000) | (9,150) | (5,850) | (5,750) | (3,700) | | |
| -1.5 m (-5 ft.) | 4300 | 4300 | 8700 | 5100 | 4200 | 2650 | 2650 | 1700 | | |
| | (9,650) | (9,650) | (18,650) | (10,950) | (9,000) | (5,700) | (5,700) | (3,650) | | |
| -3.0 m (-10 ft.) | 8200 | 8200 | 7550 | 5200 | 4250 | 2700 | | | | |
| | (18,550) | (18,550) | (16,250) | (11,150) | (9,100) | (5,800) | | | | |
| With 2.52-m (8 ft. 3 in.) arm and 600-mm (24 in.) triple semi-grouser shoes, blade on ground | | | | | | | | | | |
| 4.5 m (15 ft.) | | | | | 3250 | 3250 | 3000 | 2150 | | |
| | | | | | (7,050) | (7,050) | (6,000) | (4,550) | | |
| 3.0 m (10 ft.) | | | 5550 | 5550 | 4050 | 3350 | 3450 | 2050 | | |
| | | | (11,900) | (11,900) | (8,700) | (7,250) | (7,500) | (4,450) | | |
| 1.5 m (5 ft.) | | | 7750 | 5900 | 5000 | 3150 | 3850 | 2000 | | |
| | | | (17,700) | (12,700) | (10,850) | (6,750) | (8,300) | (4,250) | | |
| Ground Line | | | 6150 | 5600 | 5700 | 2950 | 4150 | 1900 | | |
| | | | (14,350) | (12,000) | (12,300) | (6,400) | (8,950) | (4,100) | | |
| -1.5 m (-5 ft.) | 4300 | 4300 | 8850 | 5550 | 5750 | 2900 | 4050 | 1850 | | |
| | (9,650) | (9,650) | (19,150) | (11,950) | (12,450) | (6,250) | (8,750) | (4,050) | | |
| -3.0 m (-10 ft.) | 8200 | 8200 | 7550 | 5650 | 5000 | 2950 | | | | |
| | (18,550) | (18,550) | (16,250) | (12,150) | (10,700) | (6,350) | | | | |
| With 2.52-m (8 ft. 3 in.) arm and 700-mm (28 in.) triple semi-grouser shoes, without blade | | | | | | | | | | |
| 4.5 m (15 ft.) | | | | | 3250 | 3250 | 3000 | 2000 | | |
| | | | | | (7,050) | (7,050) | (6,000) | (4,250) | | |
| 3.0 m (10 ft.) | | | 5550 | 5550 | 4050 | 3150 | 2900 | 1900 | | |
| | | | (11,900) | (11,900) | (8,700) | (6,800) | (6,250) | (4,100) | | |
| 1.5 m (5 ft.) | | | 7750 | 5500 | 4500 | 2900 | 2800 | 1850 | | |
| | | | (17,700) | (11,850) | (9,700) | (6,300) | (6,050) | (3,950) | | |
| Ground Line | | | 6150 | 5200 | 4350 | 2750 | 2750 | 1750 | | |
| | | | (14,350) | (11,200) | (9,300) | (5,950) | (5,850) | (3,750) | | |
| -1.5 m (-5 ft.) | 4300 | 4300 | 8850 | 5200 | 4250 | 2700 | 2700 | 1700 | | |
| | (9,650) | (9,650) | (18,900) | (11,100) | (9,150) | (5,800) | (5,800) | (3,700) | | |
| -3.0 m (-10 ft.) | 8200 | 8200 | 7550 | 5300 | 4300 | 2750 | | | | |
| | (18,550) | (18,550) | (16,250) | (11,350) | (9,250) | (5,900) | | | | |
| With 2.52-m (8 ft. 3 in.) arm and 700-mm (28 in.) triple semi-grouser shoes, blade on ground | | | | | | | | | | |
| 4.5 m (15 ft.) | | | | | 3250 | 3250 | 3000 | 2150 | | |
| | | | | | (7,050) | (7,050) | (6,000) | (4,650) | | |
| 3.0 m (10 ft.) | | | 5550 | 5550 | 4050 | 3400 | 3450 | 2100 | | |
| | | | (11,900) | (11,900) | (8,700) | (7,350) | (7,500) | (4,500) | | |
| 1.5 m (5 ft.) | | | 7750 | 5950 | 5000 | 3200 | 3850 | 2000 | | |
| | | | (17,700) | (12,850) | (10,850) | (6,850) | (8,300) | (4,300) | | |
| Ground Line | | | 6150 | 5650 | 5700 | 3000 | 4150 | 1950 | | |
| | | | (14,350) | (12,200) | (12,300) | (6,500) | (8,950) | (4,150) | | |
| -1.5 m (-5 ft.) | 4300 | 4300 | 8850 | 5650 | 5750 | 2950 | 4050 | 1900 | | |
| | (9,650) | (9,650) | (19,150) | (12,100) | (12,450) | (6,350) | (8,750) | (4,100) | | |
| -3.0 m (-10 ft.) | 8200 | 8200 | 7550 | 5750 | 5000 | 3000 | | | | |
| | (18,550) | (18,550) | (16,250) | (12,300) | (10,700) | (6,450) | | | | |
| With 3.01-m (9 ft. 11 in.) arm and 600-mm (24 in.) triple semi-grouser shoes, without blade | | | | | | | | | | |
| 4.5 m (15 ft.) | | | | | 2750 | 2750 | 2800 | 2000 | | |
| | | | | | (6,000) | (6,000) | (6,200) | (4,250) | | |
| 3.0 m (10 ft.) | | | 4550 | 4550 | 3550 | 3150 | 2900 | 1900 | | |
| | | | (9,600) | (9,600) | (7,750) | (6,800) | (6,200) | (4,100) | | |
| 1.5 m (5 ft.) | | | 7750 | 5550 | 4550 | 2900 | 3550 | 1800 | 2900 | 1200 |
| | | | (17,700) | (12,000) | (9,650) | (6,250) | (5,950) | (3,850) | | |
| Ground Line | | | 6750 | 5150 | 4250 | 2700 | 2650 | 1700 | | |
| | | | (15,750) | (11,000) | (9,150) | (5,800) | (5,750) | (3,650) | | |
| -1.5 m (-5 ft.) | 3750 | 3750 | 8550 | 5000 | 4150 | 2600 | 2600 | 1650 | | |
| | (8,450) | (8,450) | (18,450) | (10,750) | (8,900) | (5,600) | (5,600) | (3,550) | | |
| -3.0 m (-10 ft.) | 6800 | 6800 | 8100 | 5050 | 4150 | 2600 | 2650 | 1650 | | |
| | (15,400) | (15,400) | (17,450) | (10,900) | (8,950) | (5,600) | | | | |
| -4.5 m (-15 ft.) | | | 5750 | 5300 | 3400 | 2750 | | | | |
| | | | (12,150) | (11,350) | | | | | | |

Lift Capacities (continued)

Boldface type indicates hydraulically limited capacity; lightface type indicates stability-limited capacities, in kg (lb.). Ratings at bucket lift hook; machine equipped with 414-kg (913 lb.) bucket, standard counterweight, and standard gauge; and situated on firm, level, uniform supporting surface. Total load includes weight of cables, hook, etc. Figures do not exceed 87 percent of hydraulic capacities or 75 percent of weight needed to tip machine. All lift capacities are based on ISO 10567 (with power boost).

| Load Point Height | 1.5 m (5 ft.) | | 3.0 m (10 ft.) | | 4.5 m (15 ft.) | | 6.0 m (20 ft.) | | 7.5 m (25 ft.) | |
|---|------------------|------------------|------------------|------------------|------------------|-----------------|-----------------|-----------------|----------------|-----------|
| Horizontal Distance from Centerline of Rotation | Over Front | Over Side | Over Front | Over Side | Over Front | Over Side | Over Front | Over Side | Over Front | Over Side |
| With 3.01-m (9 ft. 11 in.) arm and 600-mm (24 in.) triple semi-grouser shoes, blade on ground | | | | | | | | | | |
| 4.5 m (15 ft.) | | | | | 2750 (6,000) | 2750 (6,000) | 2800 (6,200) | 2150 (4,650) | | |
| 3.0 m (10 ft.) | | | 4550 (9,600) | 4550 (9,600) | 3550 (7,750) | 3400 (7,350) | 3100 (6,800) | 2100 (4,450) | | |
| 1.5 m (5 ft.) | | | 7400 (15,850) | 6050 (13,000) | 4650 (10,000) | 3150 (6,800) | 3600 (7,800) | 2000 (4,250) | 1900 | 1300 |
| Ground Line | | | 6750 (15,750) | 5600 (12,000) | 5450 (11,800) | 2950 (6,350) | 4000 (8,650) | 1900 (4,050) | | |
| -1.5 m (-5 ft.) | 3750 (8,450) | 3750 (8,450) | 8550 (19,550) | 5450 (11,750) | 5750 (12,400) | 2850 (6,150) | 4100 (8,850) | 1850 (3,950) | | |
| -3.0 m (-10 ft.) | 6800 (15,400) | 6800 (15,400) | 8100 (17,450) | 5550 (11,850) | 5300 (11,400) | 2850 (6,150) | 3500 (7,700) | 1850 | | |
| -4.5 m (-15 ft.) | | | 5750 (12,150) | 5750 (12,150) | 3400 | 3000 | | | | |
| With 3.01-m (9 ft. 11 in.) arm and 700-mm (28 in.) triple semi-grouser shoes, without blade | | | | | | | | | | |
| 4.5 m (15 ft.) | | | | | 2750 (6,000) | 2750 (6,000) | 2800 (6,200) | 2000 (4,300) | | |
| 3.0 m (10 ft.) | | | 4550 (9,600) | 4550 (9,600) | 3550 (7,750) | 3200 (6,900) | 2950 (6,300) | 1950 (4,150) | | |
| 1.5 m (5 ft.) | | | 7400 (15,850) | 5650 (12,150) | 4550 (9,800) | 2950 (6,350) | 2800 (6,050) | 1850 (3,900) | 1900 | 1200 |
| Ground Line | | | 6750 (15,750) | 5200 (11,200) | 4350 (9,300) | 2750 (5,900) | 2700 (5,800) | 1750 (3,700) | | |
| -1.5 m (-5 ft.) | 3750 (8,450) | 3750 (8,450) | 8550 (18,700) | 5100 (10,950) | 4200 (9,050) | 2650 (5,700) | 2650 (5,700) | 1700 (3,600) | | |
| -3.0 m (-10 ft.) | 6800 (15,400) | 6800 (15,400) | 8100 (17,450) | 5150 (11,050) | 4200 (9,100) | 2650 (5,700) | 2700 | 1700 | | |
| -4.5 m (-15 ft.) | | | 5750 (12,150) | 5350 (11,550) | 3400 | 2800 | | | | |
| With 3.01-m (9 ft. 11 in.) arm and 700-mm (28 in.) triple semi-grouser shoes, blade on ground | | | | | | | | | | |
| 4.5 m (15 ft.) | | | | | 2750 (6,000) | 2750 (6,000) | 2800 (6,200) | 2200 (4,700) | | |
| 3.0 m (10 ft.) | | | 4550 (9,600) | 4550 (9,600) | 3550 (7,750) | 3450 (7,450) | 3100 (6,800) | 2100 (4,550) | | |
| 1.5 m (5 ft.) | | | 7400 (15,850) | 6100 (13,150) | 4650 (10,000) | 3200 (6,900) | 3600 (7,800) | 2000 (4,300) | 1900 | 1350 |
| Ground Line | | | 6750 (15,750) | 5650 (12,200) | 5450 (11,800) | 3000 (6,450) | 4000 (8,650) | 1900 (4,100) | | |
| -1.5 m (-5 ft.) | 3750 (8,450) | 3750 (8,450) | 8550 (19,550) | 5100 (11,900) | 5750 (12,400) | 2900 (6,250) | 4100 (8,850) | 1850 (4,000) | | |
| -3.0 m (-10 ft.) | 6800 (15,400) | 6800 (15,400) | 8100 (17,450) | 5600 (12,050) | 5300 (11,400) | 2900 (6,250) | 3500 | 1900 | | |
| -4.5 m (-15 ft.) | | | 5750 (12,150) | 5750 (12,150) | 3400 | 3050 | | | | |
| With 3.01-m (9 ft. 11 in.) arm and 600-mm (24 in.) rubber crawler pads, without blade | | | | | | | | | | |
| 4.5 m (15 ft.) | | | | | 2750 (6,000) | 2750 (6,000) | 2800 (6,200) | 2000 (4,300) | | |
| 3.0 m (10 ft.) | | | 4550 (9,600) | 4550 (9,600) | 3550 (7,750) | 3200 (6,900) | 2950 (6,300) | 1950 (4,150) | | |
| 1.5 m (5 ft.) | | | 7400 (15,850) | 5650 (12,200) | 4550 (9,800) | 2950 (6,350) | 2800 (6,050) | 1850 (3,900) | 1900 | 1200 |
| Ground Line | | | 6750 (15,750) | 5200 (11,200) | 4350 (9,300) | 2750 (5,900) | 2700 (5,850) | 1750 (3,700) | | |
| -1.5 m (-5 ft.) | 3750 (8,450) | 3750 (8,450) | 8550 (18,750) | 5100 (10,950) | 4200 (9,050) | 2650 (5,700) | 2650 (5,700) | 1700 (3,600) | | |
| -3.0 m (-10 ft.) | 6800 (15,400) | 6800 (15,400) | 8100 (17,450) | 5150 (11,050) | 4250 (9,100) | 2650 (5,700) | 2700 | 1700 | | |
| -4.5 m (-15 ft.) | | | 5750 (12,150) | 5350 (11,550) | 3400 | 2800 | | | | |
| With 3.01-m (9 ft. 11 in.) arm and 600-mm (24 in.) rubber crawler pads, blade on ground | | | | | | | | | | |
| 4.5 m (15 ft.) | | | | | 2750 (6,000) | 2750 (6,000) | 2800 (6,200) | 2200 (4,700) | | |
| 3.0 m (10 ft.) | | | 4550 (9,600) | 4550 (9,600) | 3550 (7,750) | 3450 (7,450) | 3100 (6,800) | 2100 (4,550) | | |
| 1.5 m (5 ft.) | | | 7400 (15,850) | 6100 (13,150) | 4650 (10,000) | 3200 (6,900) | 3600 (7,800) | 2000 (4,300) | 1900 | 1350 |
| Ground Line | | | 6750 (15,750) | 5700 (12,200) | 5450 (11,800) | 3000 (6,450) | 4000 (8,650) | 1900 (4,100) | | |
| -1.5 m (-5 ft.) | 3750 (8,450) | 3750 (8,450) | 8550 (19,550) | 5500 (11,950) | 5750 (12,400) | 2900 (6,250) | 4100 (8,850) | 1850 (4,000) | | |
| -3.0 m (-10 ft.) | 6800 (15,400) | 6800 (15,400) | 8100 (17,450) | 5600 (12,050) | 5300 (11,400) | 2900 (6,250) | 3500 | 1900 | | |
| -4.5 m (-15 ft.) | | | 5750 (12,150) | 5750 (12,150) | 3400 | 3050 | | | | |

DASH-5

ADDITIONAL EQUIPMENT

Key: ● Standard ▲ Optional or special

| Engine |
|---|
| ● Auto-idle system |
| ● Automatic belt-tension device |
| ● Batteries (2 - 12 volt) |
| ● Coolant recovery tank |
| ● Dual-element dry-type air filter |
| ● Electronic engine control |
| ● Enclosed fan guard (conforms to SAE J1308) |
| ● Engine coolant to -37 deg. C (-34 deg. F) |
| ● Programmable auto shutdown |
| ● Fuel filter with water separator |
| ● Full-flow oil filter |
| ● Turbocharger with charge air cooler |
| ● 500-hour engine-oil-change interval |
| ● 70% (35 deg.) off-level capability |
| ● Engine-oil-sampling valve |
| ● Severe-duty fuel filter |
| Hydraulic System |
| ● Reduced-drift valve for boom down, arm in |
| ● Auxiliary hydraulic valve section |
| ● Spring-applied, hydraulically released automatic swing brake |
| ● Auxiliary hydraulic-flow adjustments through monitor |
| ● Auto power lift |
| ● 5,000-hour hydraulic-oil-change interval |
| ● Hydraulic-oil-sampling valve |
| ▲ Auxiliary hydraulic lines |
| ▲ Auxiliary pilot and electric controls |
| ▲ Hydraulic filter restriction indicator kit |
| ▲ Load-lowering control device |
| ▲ Single-pedal propel control |
| ▲ Control pattern change valve |
| Undercarriage |
| ● Planetary drive with axial piston motors |
| ● Propel motor shields |
| ● Spring-applied, hydraulically released automatic propel brake |
| ● Track guides, front idler |
| ● 2-speed propel with automatic shift |
| ● Upper carrier rollers (2) |
| ● Sealed and lubricated track chain |
| ▲ Rubber crawler pads, 600 mm (24 in.) |
| ▲ Undercarriage with blade |
| ▲ Triple semi-grouser shoes, 600 mm (24 in.) |
| ▲ Triple semi-grouser shoes, 700 mm (28 in.) |

| Upperstructure |
|--|
| ● Right-hand, left-hand, and counterweight mirrors |
| ● Vandal locks with ignition key: Cab door / Service doors / Toolbox |
| ● Debris screen |
| ● Remote-mounted engine oil and fuel filters |
| Front Attachments |
| ● Centralized lubrication system |
| ● Dirt seals on all bucket pins |
| ● Less boom and arm |
| ● HN bushings |
| ● Reinforced resin thrust plates |
| ● Tungsten carbide thermal coating on arm-to-bucket joint |
| ▲ Arm, 2.52 m (8 ft. 3 in.) |
| ▲ Arm, 3.01 m (9 ft. 11 in.) |
| ▲ Attachment quick-couplers |
| ▲ Boom cylinder with plumbing to mainframe for less boom and arm |
| ▲ Buckets: Ditching / Heavy duty / Heavy-duty high capacity / Side cutters and teeth |
| ▲ Material clamps |
| Operator's Station |
| ● Meets ISO 12117-2 for ROPS |
| ● Adjustable independent-control positions (levers-to-seat, seat-to-pedals) |
| ● AM/FM radio |
| ● Auto climate control/air conditioner/heater/pressurizer |
| ● Built-in Operator's Manual storage compartment and manual |
| ● Cell-phone power outlet, 12 volt, 60 watt, 5 amp |
| ● Coat hook |
| ● Deluxe suspension cloth seat with 100-mm (4 in.) adjustable armrests |
| ● Floor mat |
| ● Front windshield wiper with intermittent speeds |
| ● Gauges (illuminated): Engine coolant / Fuel |
| ● Horn, electric |
| ● Hour meter, electric |
| ● Hydraulic shutoff lever, all controls |
| ● Hydraulic warm-up control |
| ● Interior light |
| ● Large cup holder |
| ● Machine Information Center (MIC) |

| Operator's Station (continued) |
|---|
| ● Mode selectors (illuminated): Power modes (3) / Travel modes (2 with automatic shift) / Work mode (1) |
| ● Multifunction, color LCD monitor with: Diagnostic capability / Multiple-language capabilities / Maintenance tracking / Clock / System monitoring with alarm features: Auto-idle indicator, engine air cleaner restriction indicator light, engine check, engine coolant temperature indicator light with audible alarm, engine oil pressure indicator light with audible alarm, low-alternator-charge indicator light, low-fuel indicator light, fault code alert indicator, fuel-rate display, wiper-mode indicator, work-lights-on indicator, and work-mode indicator |
| ● Motion alarm with cancel switch (conforms to SAE J994) |
| ● Power-boost switch on right console lever |
| ● Auxiliary hydraulic control switches in right console lever |
| ● SAE 2-lever control pattern |
| ● Seat belt, 51 mm (2 in.), retractable |
| ● Tinted glass |
| ● Transparent tinted overhead hatch |
| ● Hot/cold beverage compartment |
| ▲ Air-suspension heated seat |
| ▲ 24- to 12-volt D.C. radio converters, 10 amp |
| ▲ Hydraulic oil filter restriction indicator light |
| ▲ Protection screens for cab front, rear, and side |
| ▲ Seat belt, 76 mm (3 in.), non-retractable |
| ▲ Window vandal-protection covers |
| Electrical |
| ● 50-amp alternator |
| ● Blade-type multi-fused circuits |
| ● Positive-terminal battery covers |
| ● ZXLink™ wireless communication system (available in specific countries; see your dealer for details) |
| ▲ Rearview camera |
| ▲ Cab extension wiring harness |
| Lights |
| ● Work lights: Halogen / One mounted on boom / One mounted on frame |
| ▲ 2 lights mounted on cab / One mounted on right side of boom |

See your Hitachi dealer for further information.

Net engine power is with standard equipment including air cleaner, exhaust system, alternator, and cooling fan, at test conditions specified per ISO 9249. No derating is required up to 3050-m (10,000 ft.) altitude. Specifications and design subject to change without notice. Wherever applicable, specifications are in accordance with SAE standards. Except where otherwise noted, these specifications are based on a unit with 700-mm (28 in.) triple semi-grouser shoes; full fuel tank; 79-kg (175 lb.) operator; 914-mm (36 in.), 0.50-m³ (0.65 cu. yd.), 414-kg (913 lb.) general-purpose bucket; 3.01-m (9 ft. 11 in.) arm; and 2400-kg (5,291 lb.) counterweight.

HITACHI

hitachiconstruction.com